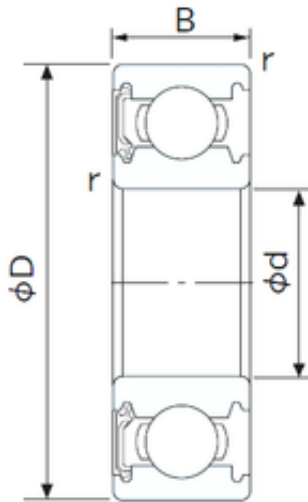




BEARING DRIVESHAFT, INC.



80 mm x 110 mm x 16 mm CYSD 6916-RZ
deep groove ball bearings

Bearing No. 6916-RZ

Size	80x110x16 mm
Bore Diameter	80 mm
Outer Diameter	110 mm
Width	16 mm
d	80 mm
D	110 mm
B	16 mm
C	16 mm
r min.	1 mm
Weight	0,375 Kg
Basic dynamic load rating (C)	24,9 kN

6916-RZ Bearing 2D drawings and 3D CAD models