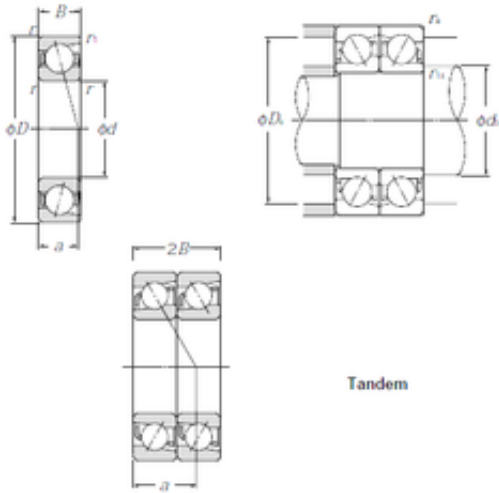




BEARING DRIVESHAFT, INC.



160 mm x 220 mm x 28 mm CYSD 7932DT
angular contact ball bearings

Bearing No. 7932DT

Size	160x220x28 mm
Bore Diameter	160 mm
Outer Diameter	220 mm
Width	28 mm
d	160 mm
D	220 mm
B	28 mm
C	28 mm
Angle ()	25 °
r min.	2 mm
2B	56 mm
Weight	6,26 Kg
Basic dynamic load rating (C)	160 kN
Basic static load rating (C0)	241 kN
(Grease) Lubrication Speed	2300 r/min

7932DT Bearing 2D drawings and 3D CAD models