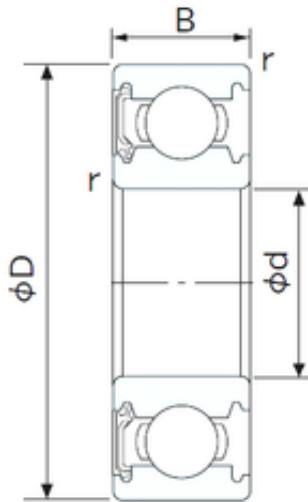




BEARING DRIVESHAFT, INC.



19,05 mm x 41,275 mm x 12,7 mm CYSD
1630-RS deep groove ball bearings

Bearing No. 1630-RS

Size	19.05x41.275x12.7 mm
Bore Diameter	19,05 mm
Outer Diameter	41,275 mm
Width	12,7 mm
d	19,05 mm
D	41,275 mm
B	12,7 mm
C	12,7 mm
r min.	0,6 mm
Weight	0,0779 Kg
Basic dynamic load rating (C)	9,38 kN

1630-RS Bearing 2D drawings and 3D CAD models