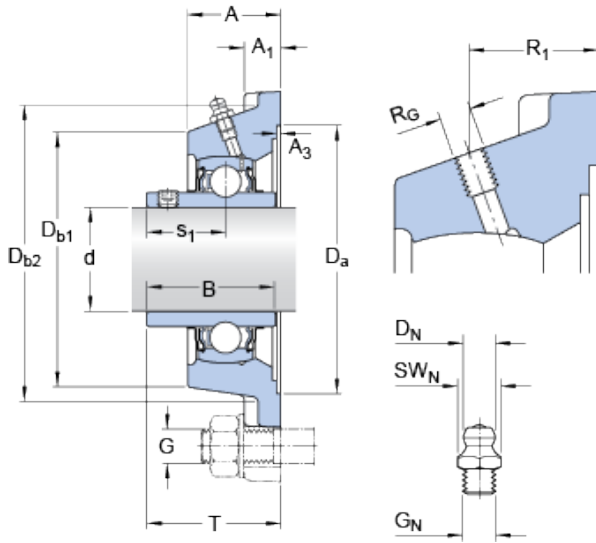




# BEARING DRIVESHAFT, INC.



skf fjy 50 tf bearing

Bearing No. fjy 50 tf

|                                |             |
|--------------------------------|-------------|
| Size                           | 50x40x15 mm |
| Bore Diameter                  | 50 mm       |
| Outer Diameter                 | 40 mm       |
| Width                          | 15 mm       |
| d                              | 50 mm       |
| A                              | 40 mm       |
| A <sub>1</sub>                 | 15 mm       |
| A <sub>3</sub> - H14           | 3.2 mm      |
| B                              | 51.6 mm     |
| D <sub>a</sub> - H11           | 125.4 mm    |
| D <sub>b1</sub>                | 116 mm      |
| D <sub>b2</sub>                | 118 mm      |
| J                              | 111 mm      |
| L                              | 143 mm      |
| H                              | 16 mm       |
| s <sub>1</sub>                 | 32.6 mm     |
| T                              | 54.6 mm     |
| J <sub>6</sub>                 | 129 mm      |
| J <sub>7</sub>                 | 35.5 mm     |
| N <sub>4</sub>                 | 4 mm        |
| D <sub>N</sub>                 | 6.5 mm      |
| SW <sub>N</sub>                | 7 mm        |
| G <sub>N</sub> - 1/4-28 SAE-LT | 1/428 SAELT |
| R <sub>G</sub> - 1/4-28 UNF    | 1/428 UNF   |
| R <sub>1</sub>                 | 22 mm       |

fjy 50 tf Bearing 2D drawings and 3D CAD models



## BEARING DRIVESHAFT, INC.

|   |                                   |
|---|-----------------------------------|
| Basic dynamic load rating - C             | 35.1 kN                           |
| Basic static load rating - C <sub>0</sub> | 23.2 kN                           |
| Fatigue load limit - P <sub>u</sub>       | 0.98 kN                           |
| Limiting speed                            | 4000 r/min                        |
| Mass bearing unit                         | 2.35 kg                           |
| Thread - G <sub>2</sub>                   | M10x1                             |
| Hexagonal key size for grub screw - H     | 5 mm                              |
| Category                                  | Mounted Units & Inserts           |
| Inventory                                 | 0.0                               |
| Manufacturer Name                         | SKF                               |
| Minimum Buy Quantity                      | N/A                               |
| Weight / Kilogram                         | 2.596                             |
| EAN                                       | 7316571006765                     |
| Product Group                             | M06110                            |
| bore diameter:                            | 50 mm                             |
| radial dynamic load capacity:             | 35.1 kN                           |
| bolt center-to-center length:             | 111 mm                            |
| radial static load capacity:              | 23.2 kN                           |
| overall length/diameter:                  | 143 mm                            |
| length through bore:                      | 51.6 mm                           |
| overall height:                           | 54.6 mm                           |
| finish/coating:                           | Blue Alkyd/Acryl Paint (RAL 5007) |
| bore type:                                | Round                             |
| bolt size:                                | 16 mm                             |
| mounting type:                            | Four-Bolt Flange                  |
| maximum rpm:                              | 4000 rpm                          |
| housing material:                         | Cast Iron                         |
| lubrication type:                         | Lubrication Fitting               |
| locking device:                           | Set Screw                         |



## BEARING DRIVESHAFT, INC.

|   |                                  |
|---|----------------------------------|
| series:   | FYJ                              |
| expansion type:                                   | Non-Expansion Bearing<br>(Fixed) |
| manufacturer product page:                        | <a href="#">Click here</a>       |
| bearing material:                                 | Steel                            |
| manufacturer upc number:                          | 7316571006765                    |
| Housing material                                  | Cast iron                        |
| $D_a$   | 125.4 mm                         |
| $D_{b1}$  | 116 mm                           |
| $D_{b2}$  | 118 mm                           |
| $A_1$   | 15 mm                            |
| $A_3$   | 3.2 mm                           |
| $N$   | 16 mm                            |
| $s_1$   | 32.6 mm                          |
| $R_G$   | 1/4-28 UNF                       |
| $R_1$   | 22 mm                            |
| $D_N$   | 6.5 mm                           |
| $SW_N$  | 7 mm                             |
| $G_N$   | 1/4-28 SAE-LT                    |
| $J_6$   | 129 mm                           |
| $J_7$   | 35.5 mm                          |
| $N_4$   | 4 mm                             |
| Basic dynamic load rating C                       | 35.1 kN                          |
| Basic static load rating $C_0$                    | 23.2 kN                          |
| Fatigue load limit $P_u$                          | 0.98 kN                          |
| Thread grub screw $G_2$                           | M10x1                            |
| Hexagonal key size for grub screw N               | 5 mm                             |
| Recommended tightening torque for grub screw      | 16.5 N · m                       |
| Recommended diameter for attachment bolts, mm G   | 14 mm                            |
| Recommended diameter for attachment bolts, inch G | 0.5625 in                        |



## BEARING DRIVESHAFT, INC.

|         |            |
|---------|------------|
| Housing | FYJ 510    |
| Bearing | YAR 210-2F |