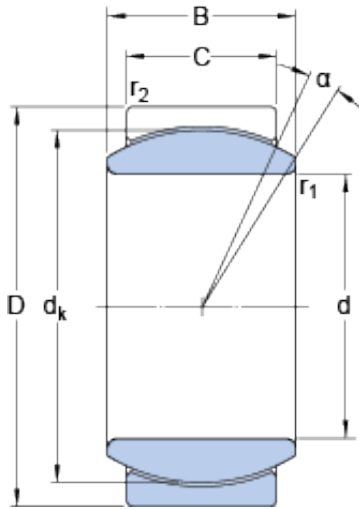




BEARING DRIVESHAFT, INC.



15 mm x 26 mm x 12 mm skf ge 15 c bearing

Bearing No. ge 15 c

ge 15 c Bearing 2D drawings and 3D CAD models

Size	26x15x12 mm
Bore Diameter	26 mm
Outer Diameter	15 mm
Width	12 mm
d	15 mm
D	26 mm
B	12 mm
C	9 mm
	8 °
d _k	22 mm
r ₁ - min.	0.3 mm
r ₂ - min.	0.3 mm
d _a - min.	16.6 mm
d _a - max.	18.4 mm
D _a - min.	20.9 mm
D _a - max.	24.5 mm
r _a - max.	0.3 mm
r _b - max.	0.3 mm
Basic dynamic load rating - C	18 kN
Basic static load rating - C ₀	45 kN
Specific factor dynamic load - K	100 N/mm ²
Specific factor static load - K ₀	250 N/mm ²
Constant - K _M	1400
Category	Spherical Plain Bearings -



BEARING DRIVESHAFT, INC.

	Radial
Inventory	0.0
Manufacturer Name	SKF
Minimum Buy Quantity	N/A
Weight / Kilogram	0.032
EAN	7316576609213
Product Group	B04264
Self Aligning	Yes
Rolling Element	Spherical Plain
Material - Outer Member	Steel
Material - Ball	Steel
Material - Liner	Teflon Sintered Bronze
Relubricatable	No
Enclosure	Open
Other Features	2 Piece Maintenance Free Chrome Plated Ball Self Lubricating
Long Description	15MM Bore; 9MM Housing Width; 26MM Outside Diameter; Spherical Plain; Steel Outer Member; Steel Ball; Teflon Sintered Bronze Liner; 12MM Overall Width; Not Relubricatable
Inch - Metric	Metric
Category	Plain Bearings Spherical Radial
UNSPSC	31171515
Harmonized Tariff Code	8483.30.80.70
Noun	Bearing
Keyword 3	Spherical
Keyword String	Plain Spherical Radial
Manufacturer URL	http://www.skf.com
Manufacturer Item Number	GE 15 C



BEARING DRIVESHAFT, INC.

Weight / LBS	0.071
Housing Width	0.354 Inch 9 Millimeter
Overall Width	0.472 Inch 12 Millimeter
Outside Diameter	1.024 Inch 26 Millimeter
Bore	0.591 Inch 15 Millimeter
bore diameter:	15 mm
outer ring width:	9 mm
outside diameter:	26 mm
grade:	Commercial/Industrial
misalignment angle:	8 °
race material:	PTFE Composite
inner ring width:	12 mm
radial static load capacity:	45 kN
bearing type:	Radial
radial dynamic load capacity:	18 kN
lubrication type:	Maintenance Free/Self-Lubricating
operating temperature range:	-50 to +150 ° C ° F
closure type:	Open
overall width:	12 mm
outer ring material:	Steel
manufacturer upc number:	7316576609213
inner ring material:	Steel
Lubricant	Maintenance free – dry lubrication
Design (sliding contact surface combination)	Steel/PTFE sintered bronze
Sealing solution	-
	8 °
d_k	22 mm
r_1 min.	0.3 mm
r_2 min.	0.3 mm



BEARING DRIVESHAFT, INC.

d_a min.	16.6 mm
d_a max.	18.4 mm
D_a min.	20.9 mm
D_a max.	24.5 mm
r_a max.	0.3 mm
r_b max.	0.3 mm
Basic dynamic load rating C	18 kN
Basic static load rating C_0	45 kN
Specific dynamic load factor K	100 N/mm ²
Specific static load factor K_0	250 N/mm ²
Material constant K_M	1400
Mass plain bearing	0.032 kg